



Primary Engineering, Inc.
2828 Lake Ave.
Fort Wayne, Indiana 46805
260-424-0444 ph
www.primary-eng.com



Addendum: 4
Date: **3/6/2025**
Project: **2025 FWCS Auditoriums**
Comm #: **24658**

The following items shall be incorporated into the specifications and drawings and are considered to be integral to the bid documents for the project. Acknowledgement of receipt of this addendum is required on the bid form.

Item #1: General Clarifications.

- A. North Side High School is the only location calling for a new projector. Existing projector(s) are to remain at Snider and Wayne High Schools.

Item #2: Specification 000132 – EBE/MBE/WBE Information

- A. Section revised, refer to attached Specification

Item #3: Drawing Sheet NS-E201, POWER AND LIGHTING PLANS

- A. Changed sensor type in Prop Room A224 and Stage Wing A228. Refer to supplemental drawing NS-E201 for additional Information.
- B. Removed under counter lighting rack at booth area. Refer to supplemental drawing NS-E201 for additional information.

Item #4: Drawing Sheet NS-E401, ELECTRICAL DETAILS

- A. Revised Detail #1, Connector Strip Electrics. Refer to supplemental drawing NS-E401 for additional information.

Item #5: Drawing Sheet NS-E402, ELECTRICAL DETAILS

- A. Revised Lighting Sensor and Light Fixture Schedules. Refer to supplemental drawing NS-E402 for additional information.

Item #6: Drawing Sheet SN-E201, POWER AND LIGHTING PLANS

- A. Added note #11 for existing projector. Refer to supplemental drawing SN-E201 for additional information.

Item #7: Drawing Sheet SN-E401, ELECTRICAL DETAILS

- A. Revised Detail #1, Connector Strip Electrics. Refer to supplemental drawing SN-E401 for additional information.

Item #8: Drawing Sheet WA-E401, ELECTRICAL DETAILS

- A. Revised Detail #1, Connector Strip Electrics. Refer to supplemental drawing WA-E401 for additional information.



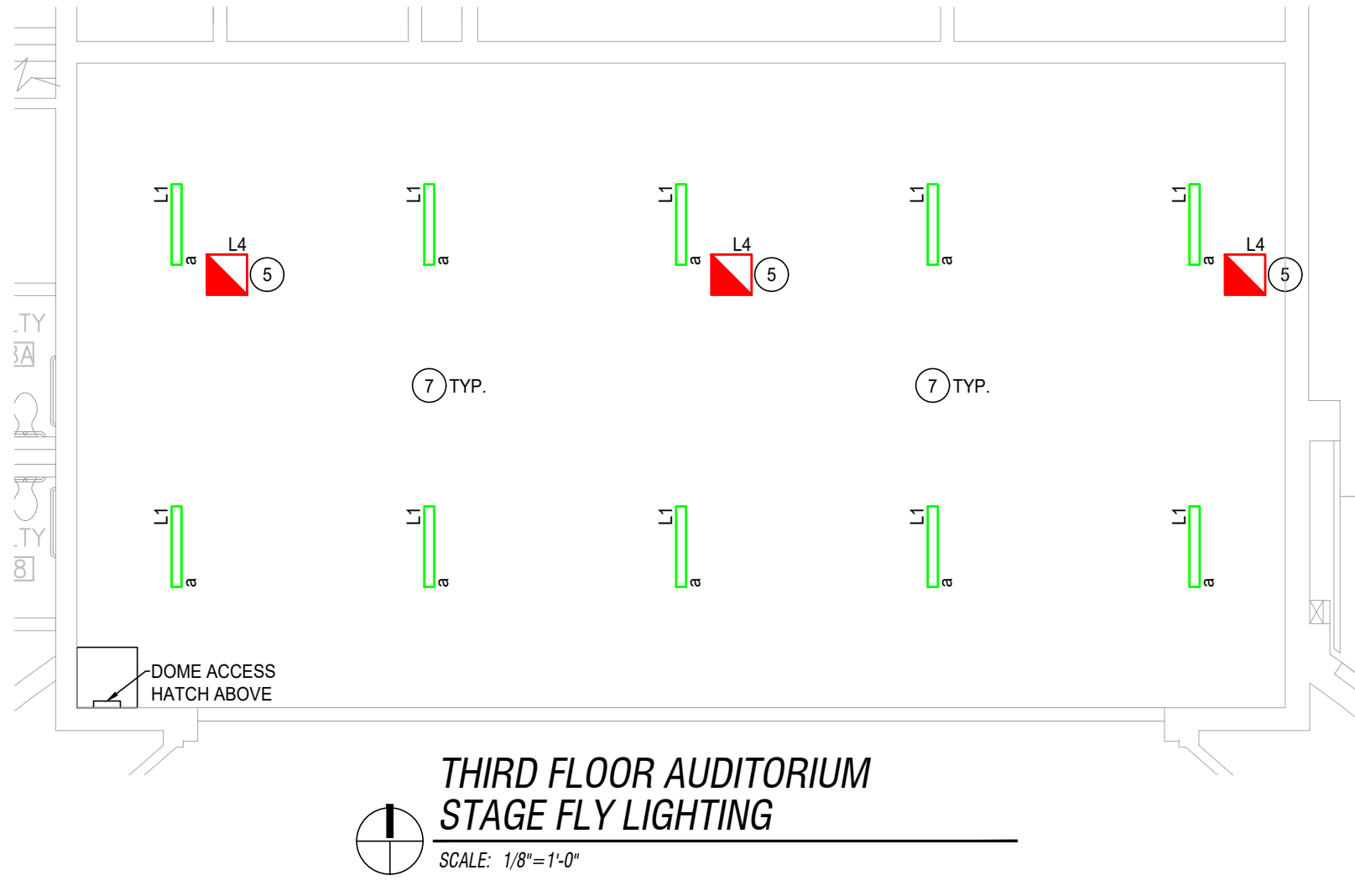
WE ARE YOUR SCHOOLS



SECTION 000132 – EBE/MBE/WBE INFORMATION

Following is a list of the Emerging Business Enterprise owners, Women’s Business Enterprise owners, and Minority Business Enterprise owners currently certified by the City of Fort Wayne. Fort Wayne Community Schools supports participation of minority owned businesses as a goal and encourages bidders to solicit bids from MBE, WBE and EBE contractors. There is no requirement or quota for MBE, WBE and EBE participation on this project. We are encouraging participation to the extent possible. Bidders are requested to submit the names of the firms which they have contacted on the Bid Form provided in these specifications.

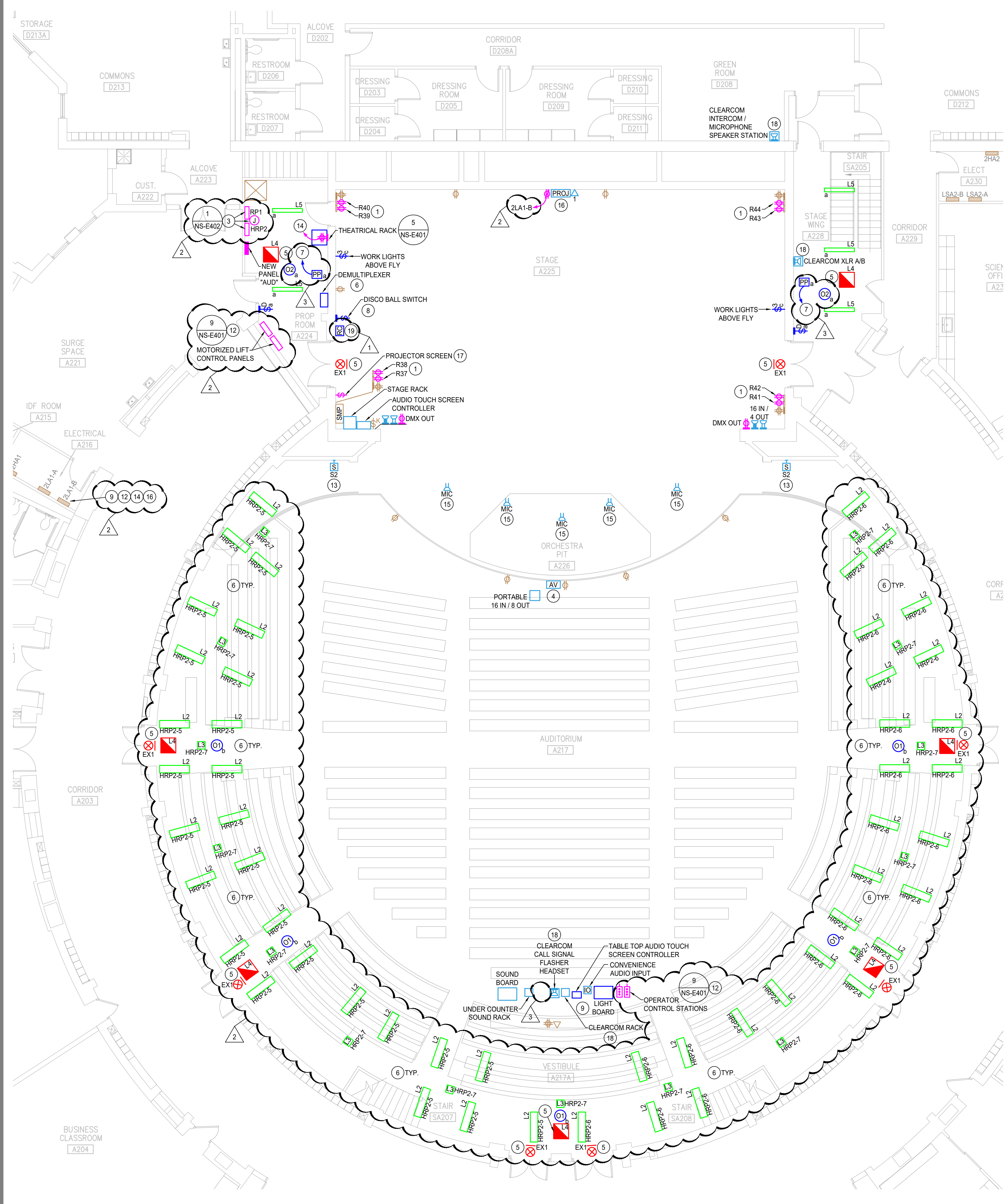
END OF SECTION



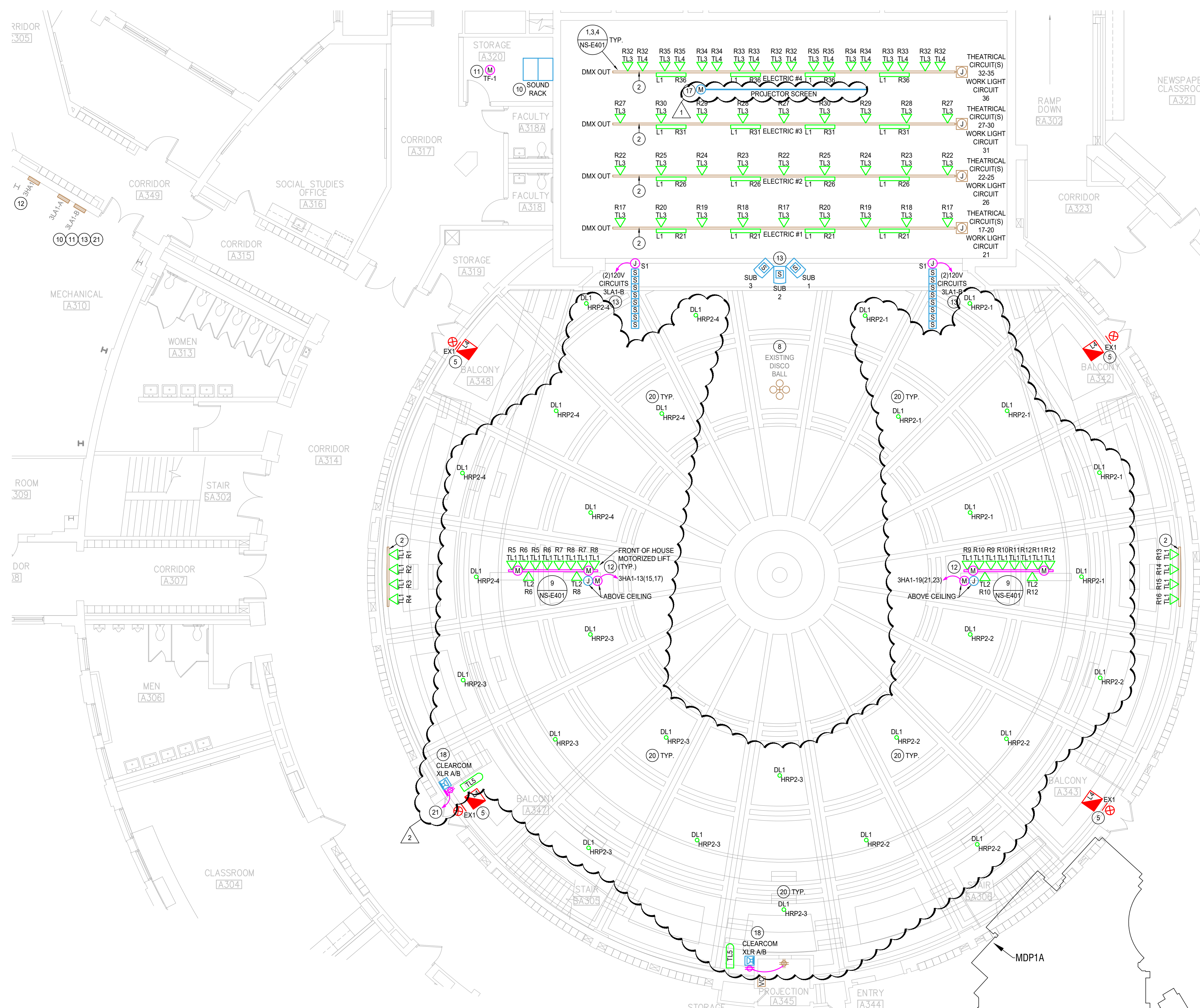
THIRD FLOOR AUDITORIUM STAGE FLY LIGHTING
SCALE: 1/8" = 1'-0"

- PLAN NOTES**
- PROVIDE AND INSTALL NEW LIGHTING CONTROL STATION IN SAME LOCATION AS DEMOED CONTROL STATION.
 - PROVIDE AND INSTALL NEW DL1 FIXTURES IN SAME LOCATIONS AS DEMOED FIXTURES. CONNECT TO EXISTING CIRCUIT PREVIOUSLY SERVING FIXTURES. PROVIDE AND INSTALL NEW DMX CONTROL TO ALL FIXTURES.
 - PROVIDE AND INSTALL NEW 20A/1P BREAKER IN EXISTING PANEL 3LA1-B. CONNECT NEW RECEPTACLE FOR FOLLOW SPOT TO NEW BREAKER. COORDINATE EXACT LOCATION OF RECEPTACLE PRIOR TO INSTALLATION.
- DOMED CEILING CONTAINS ASBESTOS. NO CUTTING/PATCHING OR ANY OTHER WORK THAT MAY DISTURB CEILING IS ALLOWED. PROVIDE PLANKING AND PROTECTION WHEN WORKING ABOVE CEILING.
- E.C. SHALL VERIFY ALL EXISTING CIRCUITS IN PANELS WHERE CHANGES ARE MADE. PROVIDE NEW, TYPED, UPDATED DIRECTORY.
- E.C. SHALL REMOVE AND PROPERLY DISPOSE OF ALL LIGHTS, EQUIPMENT, ETC. BEING DEMOED THROUGHOUT THE PROJECT.
- PROVIDE AND INSTALL TEMPORARY FLOOR PROTECTION DURING DEMOLITION AND CONSTRUCTION AS REQUIRED TO PROTECT EXISTING STAGE FLOOR FROM DAMAGE.
- EXISTING PATHWAYS MAY BE REUSED IN LOCATIONS WHERE NEW DEVICES ARE TO BE INSTALLED IN SAME LOCATIONS AS DEMOED DEVICES.
- E.C. SHALL PAINT ALL ITEMS PUT WITHIN AUDITORIUM FLAT BLACK.

- PLAN NOTES**
- PROVIDE AND INSTALL NEW DUPLEX RECEPTACLE(S) (5-20R) WITH LABELING CORRESPONDING TO EXISTING CIRCUIT. CONNECT TO EXISTING CIRCUIT(S) EXTEND CONDUCTORS AS REQUIRED TO TERMINATE (2-412, 1-4120). REFER TO THEATRICAL SCHEDULE.
 - PROVIDE AND INSTALL NEW NEMA 5-20R SO CORDS AND BACK BOXES IN EXISTING CONNECTOR STRIPS. MARK AND LABEL SPARE CIRCUITS. WIRE NUT SPARE CIRCUITS FOR FUTURE USE.
 - PROVIDE AND INSTALL CUSTOM SHEET METAL JUNCTION BOX, 2'X2'X6" MINIMUM, CONNECTED TO EXISTING CONDUITS PREVIOUSLY CONNECTED TO DIMMER RACK. CONNECT AND EXTEND EXISTING CIRCUITS TO NEW RELAY PANEL(S). ALL WIRE JOINTS TO BE BUT SPICED. WIRE NUT AND LABEL UNUSED CIRCUITS FOR FUTURE USE.
 - PROVIDE AND INSTALL NEW AUDIO INTERFACE WITH BLUE TOOTH IN FRONT OF STAGE. PROVIDE ALL CABLING AND CONNECTIONS REQUIRED FOR A COMPLETE WORKING SYSTEM COORDINATE PRIOR TO INSTALLATION.
 - CONNECT NEW EXIT / EMERGENCY FIXTURE TO EXISTING EMERGENCY CIRCUIT SERVING THIS AREA.
 - PROVIDE AND INSTALL NEW SURFACE MOUNT FIXTURES ON UNDER BALCONY SPLINE CEILING. PROVIDE STAINLESS STEEL PLATES OVER HOLE AS REQUIRED FOR MOUNTING. INTERCEPT EXISTING CIRCUIT FEEDING UNDER BALCONY LIGHTING AND REROUTE TO NEW RELAY PANEL. PROVIDE 1-10V DIMMING CABLE TO ALL FIXTURES. ROUTE CABLE BACK TO NEW DEMULTIPLEXER PANEL IN PROP ROOM A224. PROVIDE DMX TO NEW DEMULTIPLEXER PANEL. PROVIDE AND INSTALL OCCUPANCY SENSORS. REFER TO SENSOR SCHEDULE FOR MORE INFORMATION.
 - PROVIDE AND INSTALL NEW LIGHTING AND CONTROLS IN THIS AREA. CONNECT TO EXISTING CIRCUIT PREVIOUSLY SERVING THIS SPACE.
 - PROVIDE AND INSTALL NEW SWITCH FOR EXISTING DISCO BALL. CURRENTLY NOT BEING SWITCHED. INTERCEPT CIRCUIT AND COORDINATE EXACT LOCATION FOR SWITCH WITH OWNER PRIOR TO INSTALLATION.
 - PROVIDE (3) 2" CORE SLEEVES DOWN TO USE AS ADDITIONAL PATHWAYS. MODIFY CASEWORK AS REQUIRED FOR NEW EQUIPMENT. PROVIDE (2) ADDITIONAL 120V CIRCUITS FROM EXISTING PANEL 2LA1-B. PROVIDE ADDITIONAL SUPPORTS, SLEEVES, AND PENETRATIONS AS REQUIRED TO ROUTE CABLING BELOW AUDITORIUM ABOVE ST FLOOR CEILING.
 - PROVIDE AND INSTALL (2) 20A/1P BREAKERS IN EXISTING PANEL 3LA1-B. PROVIDE AND INSTALL (2) 120V CIRCUITS FROM EXISTING PANEL 3LA1-B FOR NEW EQUIPMENT TO BE INSTALLED IN EXISTING RACK FRAME.
 - PROVIDE AND INSTALL NEW EXHAUST FAN (TF-1) IN STORAGE A330. PROVIDE AND INSTALL NEW 20A/1P BREAKER IN EXISTING PANEL 3LA1-B TO SERVE TF-1. REFER TO EXHAUST FAN SCHEDULE ON SHEET NS-E402 FOR ADDITIONAL INFORMATION.
 - PROVIDE AND INSTALL (2) MOTORIZED SELF-CLIMBING TRUSS SYSTEMS WITH A LENGTH OF 12 FEET EACH. PROVIDE AND INSTALL (1) 120V 20A/1P BREAKERS IN EXISTING PANEL 2LA1-B FOR MOTORIZED LIFT CONTROL PANELS AND (2) 480V 20A/3P BREAKERS IN EXISTING PANEL 3H41. HAND OVER REPLACED SPARE BREAKERS TO OWNER. PROVIDE AND INSTALL MISCELLANEOUS STEEL TO SUPPORT TRUSS SYSTEM TO EXISTING STEEL STRUCTURE AND ANY ADDITIONAL COMPONENTS REQUIRED FOR INSTALLATION. COORDINATE LOCATION OF PANELS AND CONTROL STATIONS PRIOR TO INSTALLATION.
 - PROVIDE AND INSTALL NEW SPEAKERS SUSPENDED FROM CEILING AND MOUNTED ON WALL. COORDINATE EXACT MOUNTING HEIGHT AND LOCATION PRIOR TO INSTALLATION. REUSE EXISTING CABLING AND RIGGING AND PROVIDE ADDITIONAL AS REQUIRED. PROVIDE AND INSTALL (2) 20A/1P BREAKERS IN EXISTING PANEL 3LA1-B FOR EACH SPEAKER ARRAY (S1).
 - PROVIDE AND INSTALL NEW CIRCUIT FROM EXISTING PANEL 2LA1-B TO SERVE NEW THEATRICAL RACK. COORDINATE RACK LOCATION PRIOR TO INSTALLATION.
 - PROVIDE AND INSTALL NEW CEILING HUNG DROP MICS. COORDINATE EXACT LOCATION AND HEIGHT WITH OWNER PRIOR TO INSTALLATION.
 - PROVIDE AND INSTALL NEW REAR SCREEN PROJECTOR. PROVIDE ALL MATERIAL REQUIRED FOR MOUNTING AND INSTALLATION. COORDINATE EXACT HEIGHT AND LOCATION OF PROJECTOR AND DEVICES WITH OWNER AND SCREEN MANUFACTURER PRIOR TO INSTALLATION. PROVIDE DATA FROM ICM IN ROOM A215. PROVIDE AND INSTALL 20A/1P BREAKER IN EXISTING PANEL 2LA1-B FOR POWER.
 - PROVIDE AN INSTALL DALIITE "TENSIONED PROFESSIONAL ELECTROL" REAR PROJECTION SCREEN 12'-2" HEIGHT AND 21'-8" WIDE (16-9 FORMAT) WITH 18" BLACK DROP. ELECTRICALLY (120V) OPERATED WITH LIMIT SWITCHES, UP/DOWN CONTROL SWITCH IN ENCLOSED HOUSING, OR EQUAL. CONNECT TO EXISTING CIRCUIT PREVIOUSLY SERVING DEMOED SCREEN. EXTEND AS REQUIRED. COORDINATE EXACT DISTANCE REQUIRED FROM PROJECTOR BEFORE MOUNTING TO RIGGING IN FLY AREA OF STAGE. MODIFY RIGGING AND PROVIDE HARDWARE AS REQUIRED. COORDINATE SIZE AND FINISH OF SCREEN WITH OWNER.
 - PROVIDE AND INSTALL CLEARCOM SYSTEM. COORDINATE RACK AND STATION LOCATIONS PRIOR TO INSTALLATION.



SECOND FLOOR AUDITORIUM STAGE POWER AND LIGHTING PLAN
SCALE: 1/8" = 1'-0"



THIRD FLOOR AUDITORIUM STAGE POWER AND LIGHTING PLAN
SCALE: 1/8" = 1'-0"



KEY PLAN
NOT TO SCALE

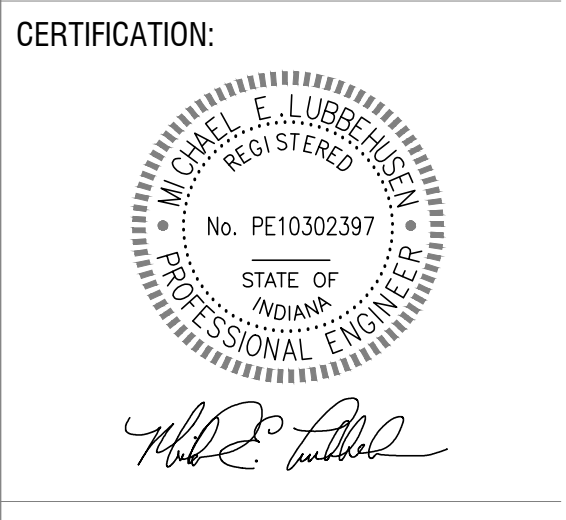


All concepts, ideas, plans, and details as shown on this document are the sole property of Primary Engineering, Inc. and shall not be used for any other purpose without their expressed written consent. The project owner shall be permitted to retain copies for information and reference purposes.
© 2025 Primary Engineering, Inc.

ADDENDUM #4	3-6-2025
ADDENDUM #3	3-3-2025
ADDENDUM #2	2-20-2025



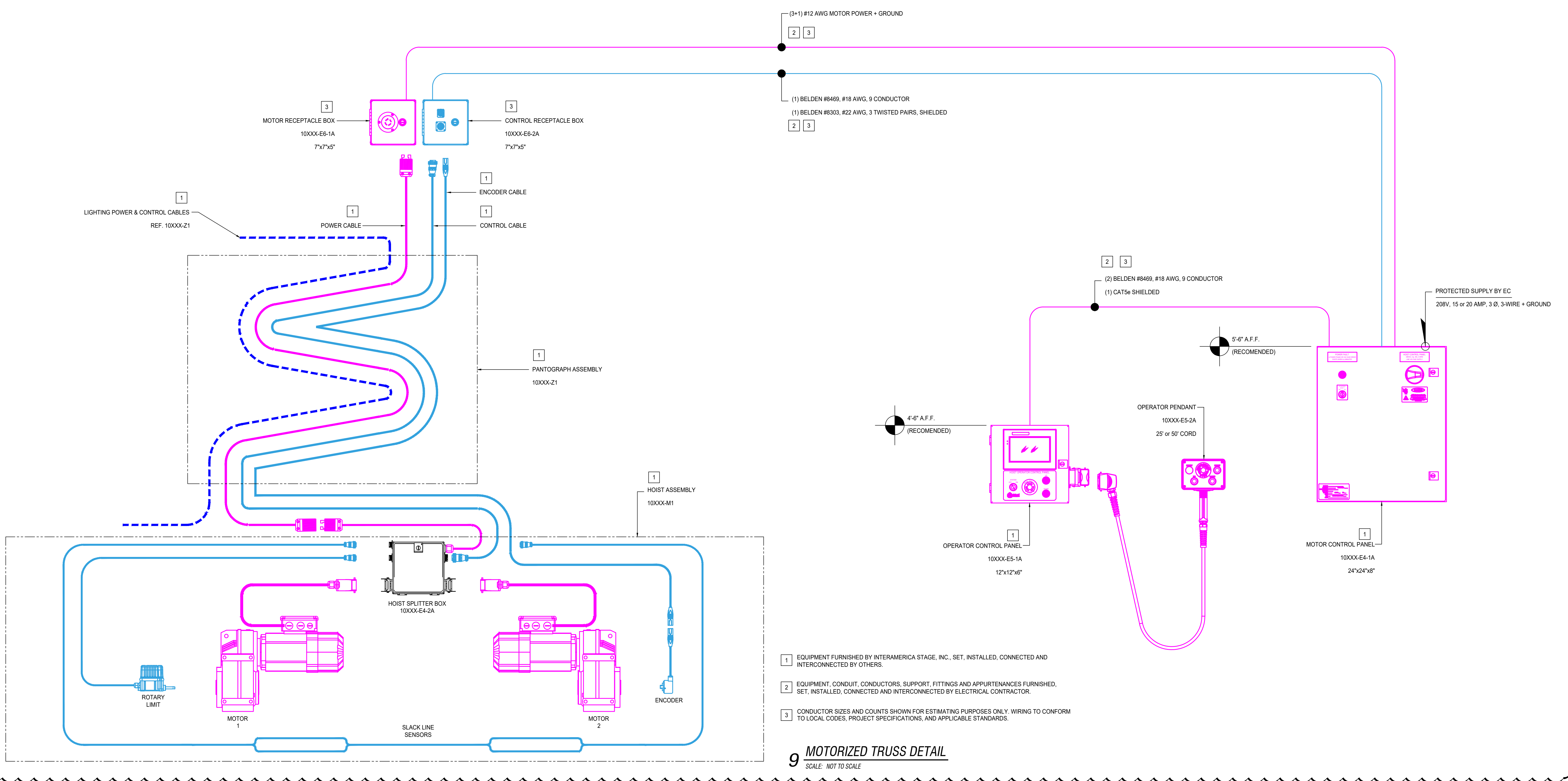
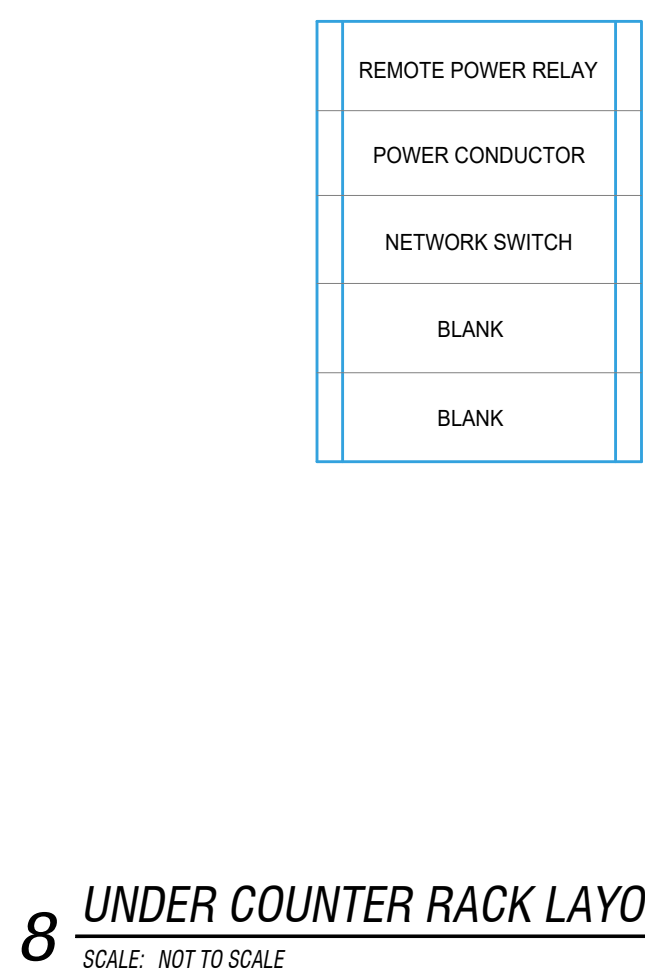
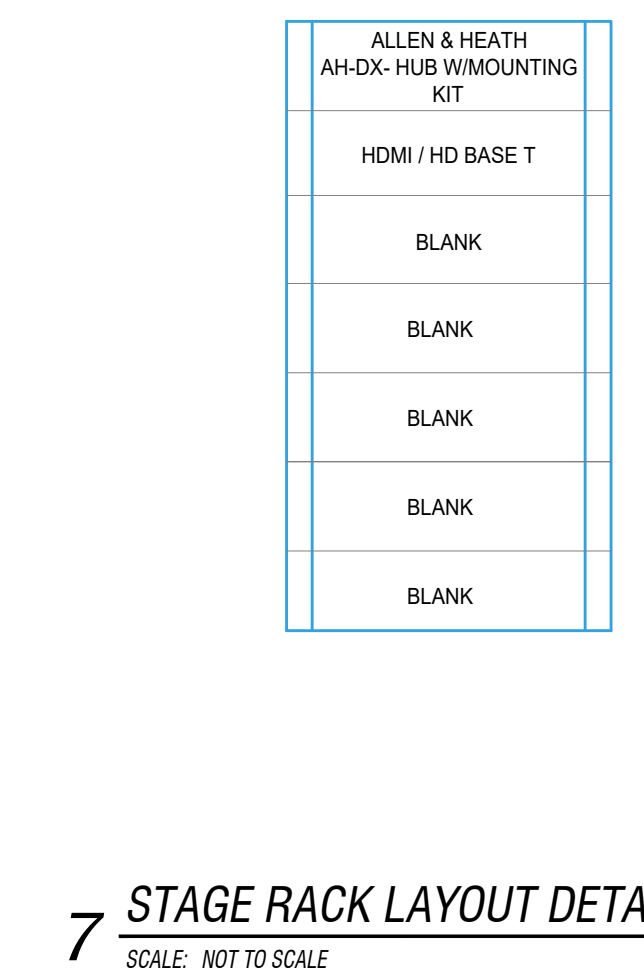
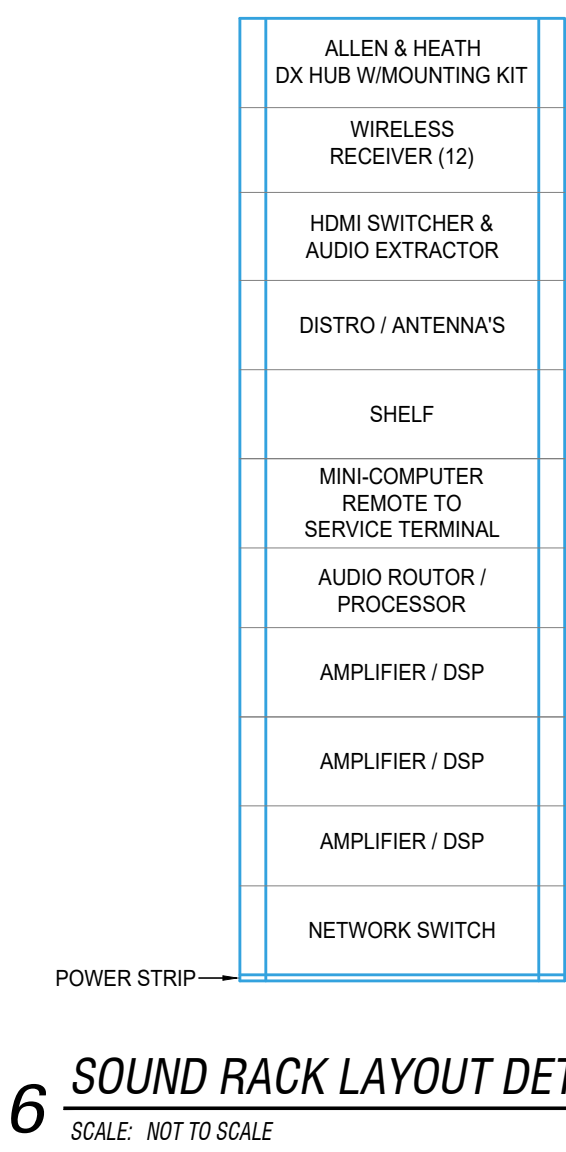
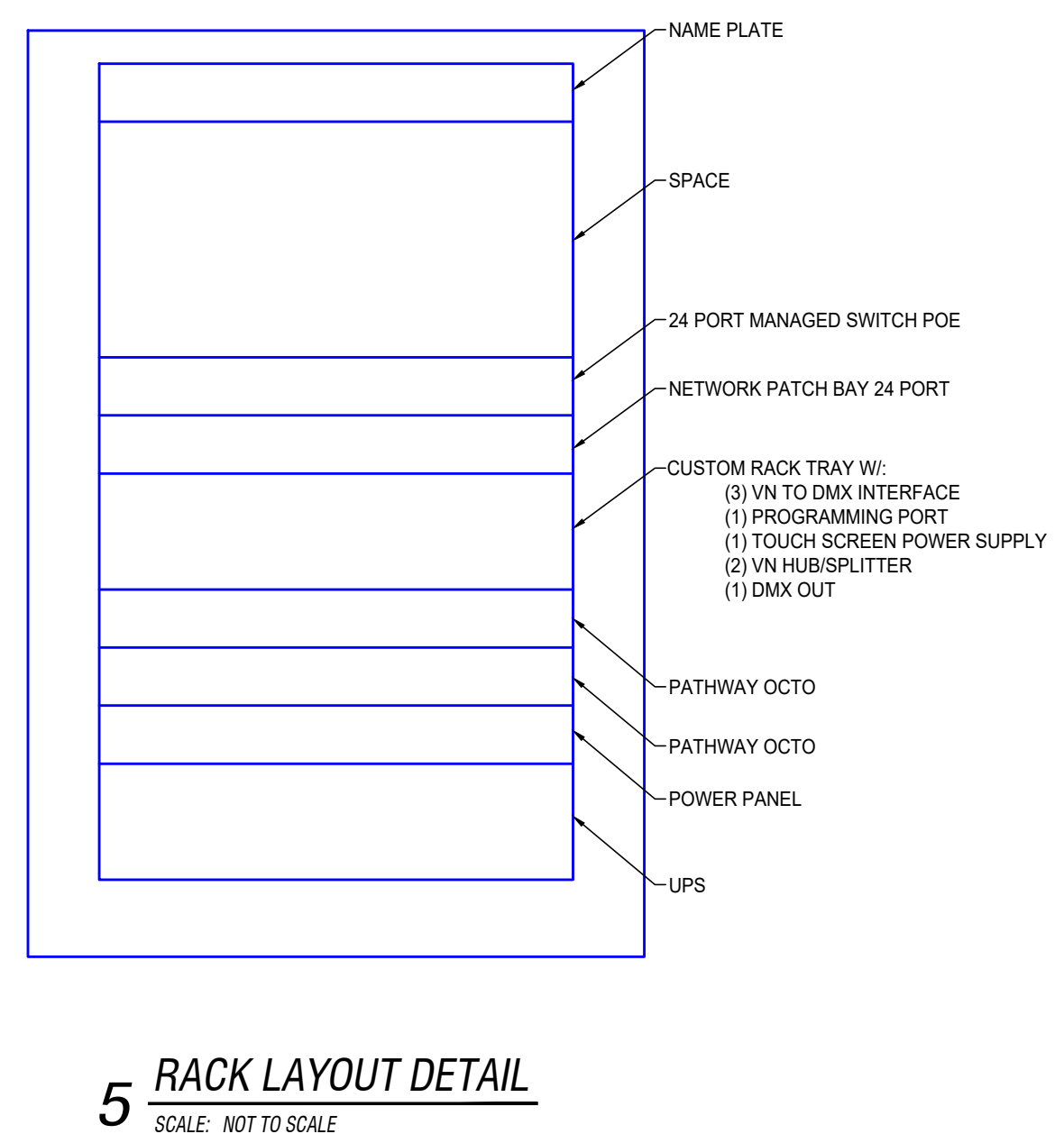
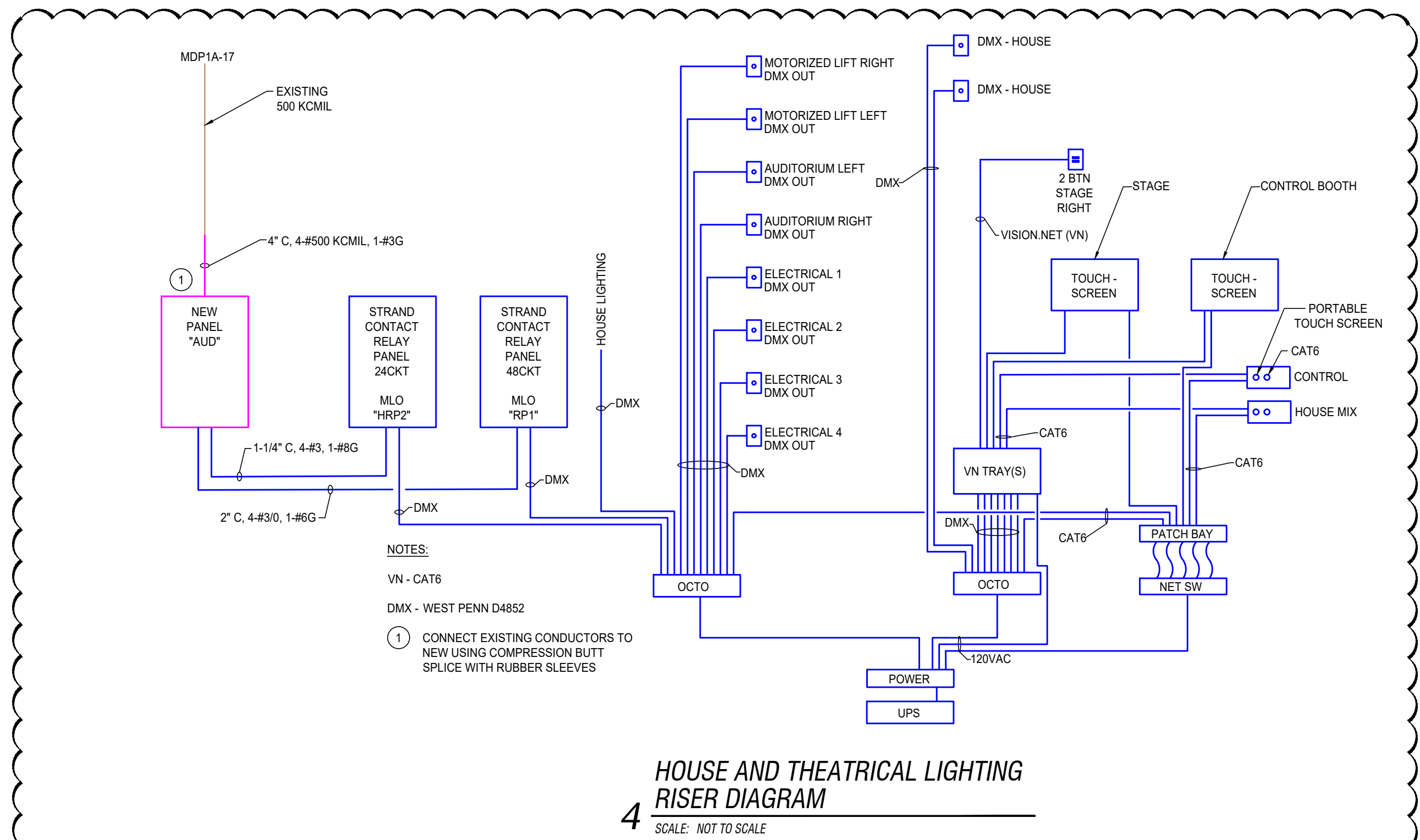
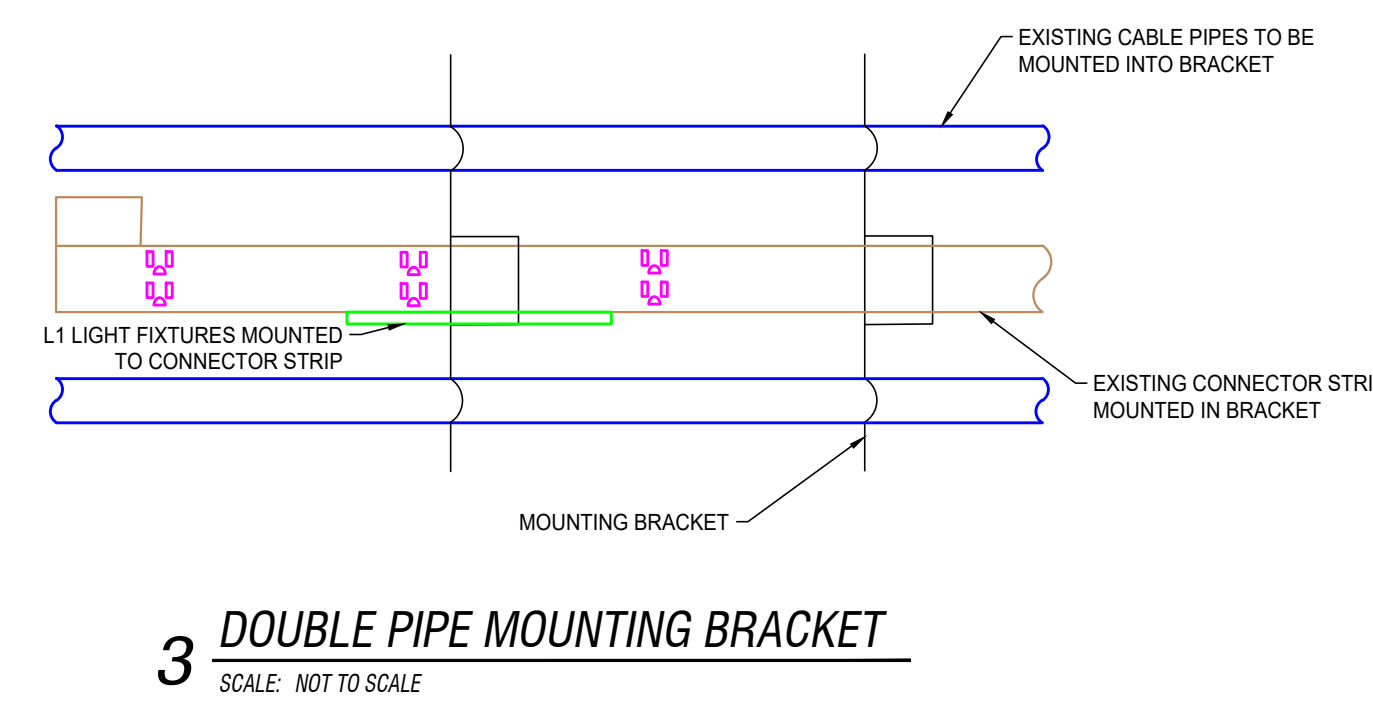
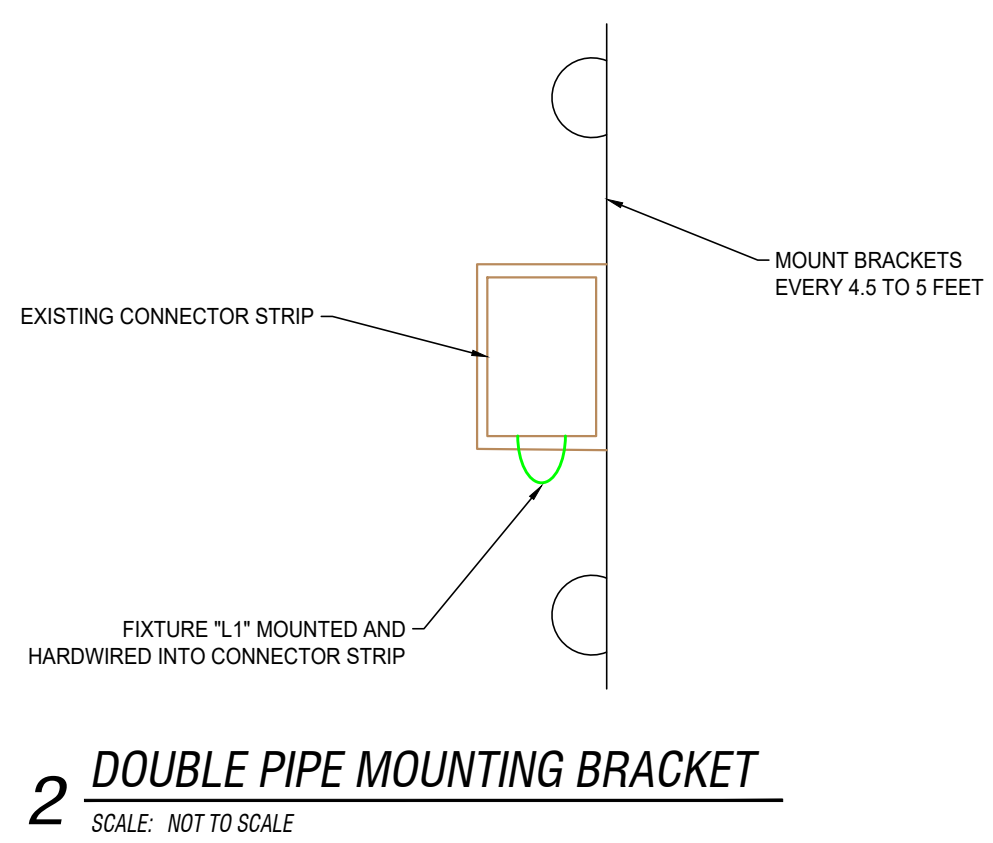
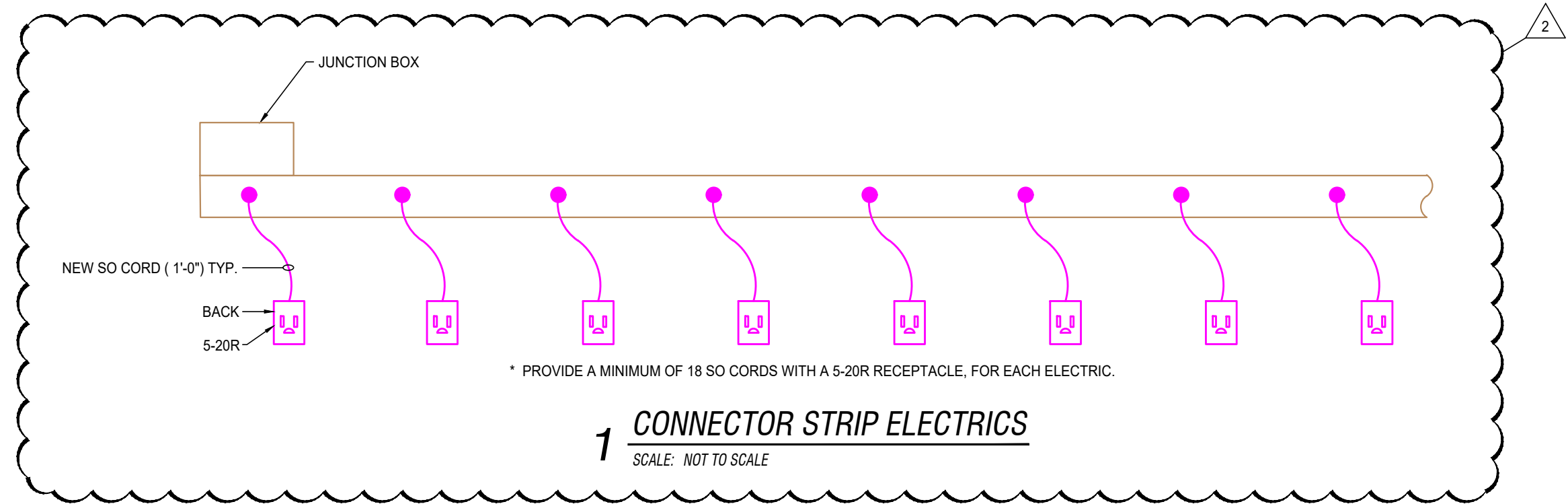
FORT WAYNE COMMUNITY SCHOOLS
2025 Auditorium Sound, Lights, and Tech
Fort Wayne, Indiana



DATE: 2-3-2025
COMM: 24658
FILE: 658-NS-E201
SCHOOL: North Side High School
475 East State Blvd.
Fort Wayne Indiana 46805

TITLE:
POWER AND LIGHTING PLANS

SHEET:
NS-E201



- 1 EQUIPMENT FURNISHED BY INTERAMERICA STAGE, INC. SET, INSTALLED, CONNECTED AND INTERCONNECTED BY OTHERS.
- 2 EQUIPMENT, CONDUIT, CONDUCTORS, SUPPORT, FITTINGS AND APPURTENANCES FURNISHED, SET, INSTALLED, CONNECTED AND INTERCONNECTED BY ELECTRICAL CONTRACTOR.
- 3 CONDUCTOR SIZES AND COUNTS SHOWN FOR ESTIMATING PURPOSES ONLY. WIRING TO CONFORM TO LOCAL CODES, PROJECT SPECIFICATIONS, AND APPLICABLE STANDARDS.

All concepts, ideas, plans, and details shown on this document are the sole property of Primary Engineering, Inc. and shall not be used for any other purpose without their expressed written consent. The project owner shall be permitted to retain copies for information and reference purposes.
2025 © Primary Engineering, Inc.

ADDITIONUM #3 3-6-2025
ADDITIONUM #4 3-3-2025



FORT WAYNE COMMUNITY SCHOOLS
2025 Auditorium Sound, Lights, and Tech
Fort Wayne, Indiana

CERTIFICATION:

 DATE: 2-3-2025
 COMM: 24658
 FILE: 658-NS-E401

SCHOOL: North Side High School
475 East State Blvd.
Fort Wayne Indiana 46805

TITLE:
ELECTRICAL DETAILS

SHEET:
NS-E401

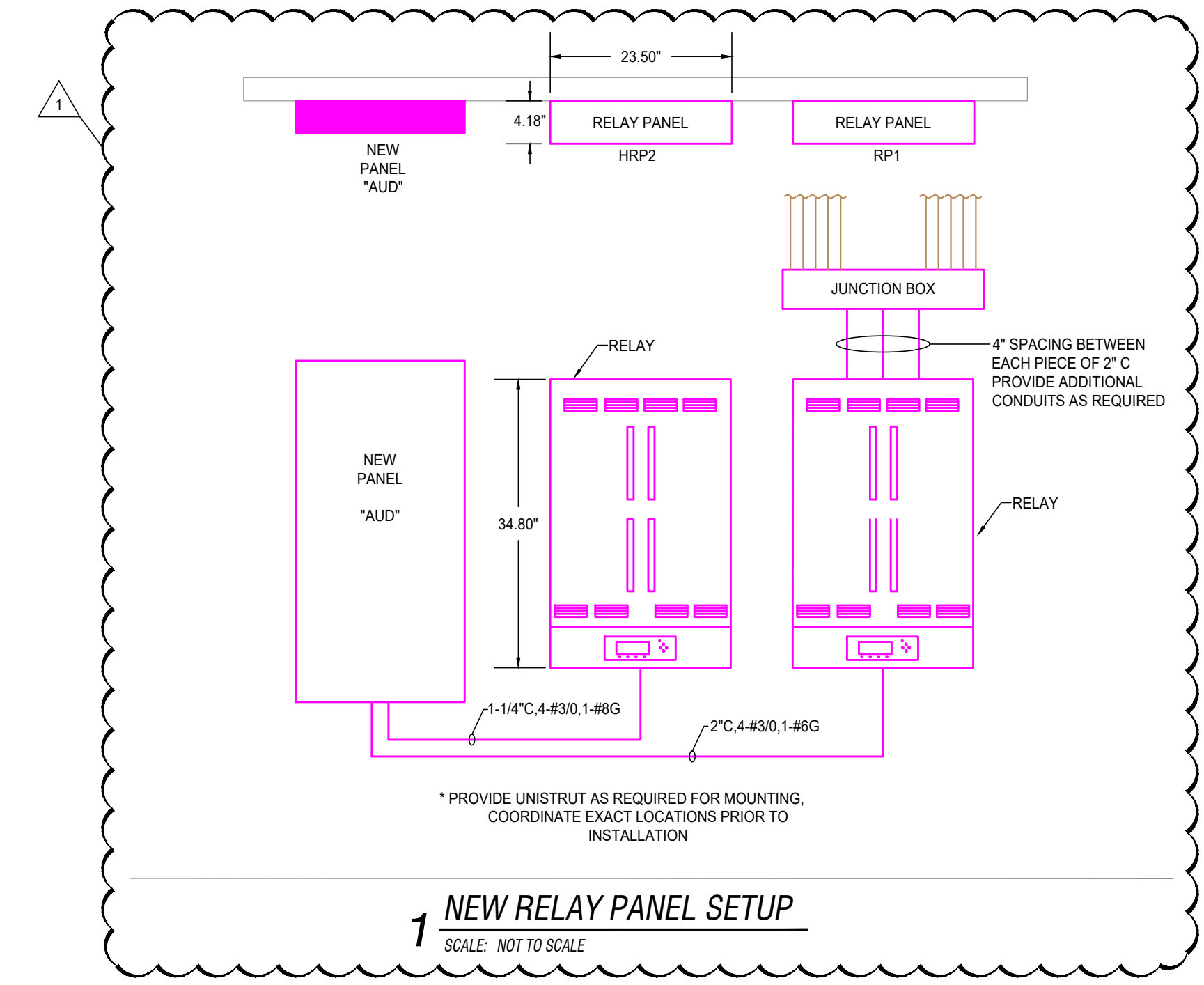
REMARKS	CKT NO.	BRK SIZE	LOAD DESCRIPTION	PHASE A (VA)	PHASE B (VA)	PHASE C (VA)	LOAD DESCRIPTION	BRK SIZE	CKT NO.	REMARKS	
	1	200A/3P	RP1 - RELAY PANEL	15600 0	15600 0	15600 0	SPACE	200A/3P	2	1	
	3	200A/3P	SPARE	0 0	0 0	0 0	SPACE	200A/3P	4	1	
	5	100A/3P	HRP2 - RELAY PANEL	1800 0	1800 0	1800 0	SPACE	100A/3P	6	1	
REMARKS				17,400	17,400	17,400					

HOUSE RELAY/DIMMING PANEL						
PANEL NAME: NEW HRP2			MANUFACTURER: PHILIPS STRAND LIGHTING (VARI-LITE)			
LOCATION: PROP ROOM A224			MODEL TYPE: 78921C WITH ENCLOSURE			
MOUNTING: WALL RACK			SUPPLY CIRCUIT: EXISTING CIRCUIT TO DIMMER MODULE(S)			
PANEL NOTES: REUSE EXISTING CIRCUITS FROM EXISTING DIMMER MODULES WIRE NUT OFF (CAP) UNUSED CIRCUITS AND MARK AS SPARE						
RELAY	LOAD DESCRIPTION	MODULE SIZE	MODULE TYPE	SOURCE	VOLTAGE	REMARKS
1	CAN FIXTURE LIGHTS(DL1)	20A/1P	RELAY WITH CB	EXISTING CIRCUIT	120	1.2
2	CAN FIXTURE LIGHTS(DL1)	20A/1P	RELAY WITH CB	EXISTING CIRCUIT	120	1.2
3	CAN FIXTURE LIGHTS(DL1)	20A/1P	RELAY WITH CB	EXISTING CIRCUIT	120	1.2
4	CAN FIXTURE LIGHTS(DL1)	20A/1P	RELAY WITH CB	EXISTING CIRCUIT	120	1.2
5	UNDER BALCONY LIGHTS(L2)	20A/1P	RELAY WITH CB	EXISTING CIRCUIT	120	1.2
6	UNDER BALCONY LIGHTS(L2)	20A/1P	RELAY WITH CB	EXISTING CIRCUIT	120	1.2
7	PERFORMANCE UNDER BALCONY LIGHTS(L3)	20A/1P	RELAY WITH CB	EXISTING CIRCUIT	120	1.2
8	SPARE	20A/1P	RELAY WITH CB	EXISTING CIRCUIT	120	1.2
9	SPARE	20A/1P	RELAY WITH CB	EXISTING CIRCUIT	120	1.2
10	SPARE	20A/1P	RELAY WITH CB	EXISTING CIRCUIT	120	1.2
11	SPARE	20A/1P	RELAY WITH CB	EXISTING CIRCUIT	120	1.2
12	SPARE	20A/1P	RELAY WITH CB	EXISTING CIRCUIT	120	1.2
13	SPARE	20A/1P	RELAY WITH CB	EXISTING CIRCUIT	120	1.2
14	SPARE	20A/1P	RELAY WITH CB	EXISTING CIRCUIT	120	1.2
15	SPARE	20A/1P	RELAY WITH CB	EXISTING CIRCUIT	120	1.2
16	SPARE	20A/1P	RELAY WITH CB	EXISTING CIRCUIT	120	1.2
17	SPARE	20A/1P	RELAY WITH CB	EXISTING CIRCUIT	120	1.2
18	SPARE	20A/1P	RELAY WITH CB	EXISTING CIRCUIT	120	1.2
19	SPARE	20A/1P	RELAY WITH CB	EXISTING CIRCUIT	120	1.2
20	SPARE	20A/1P	RELAY WITH CB	EXISTING CIRCUIT	120	1.2
21	SPARE	20A/1P	RELAY WITH CB	EXISTING CIRCUIT	120	1.2
22	SPARE	20A/1P	RELAY WITH CB	EXISTING CIRCUIT	120	1.2
23	SPARE	20A/1P	RELAY WITH CB	EXISTING CIRCUIT	120	1.2
24	SPARE	20A/1P	RELAY WITH CB	EXISTING CIRCUIT	120	1.2
REMARKS						
1. "CB" CIRCUIT BREAKER.						
2. COORDINATE EXACT CIRCUIT LABELING WITH OWNER						

LIGHTING SENSOR SCHEDULE					
TAG	MANUFACTURER'S CATALOG NUMBER	INPUT VOLTAGE	MOUNT	REMARKS	REMARKS
D1	VARI-LITE #VISION NET-63099HB	24V	CEILING	DUAL TECHNOLOGY CEILING SENSOR. SENSOR TO BE EQUIPPED WITH SELF ADJUSTING TECHNOLOGY AND ISOLATED RELAY OUTPUTS. SENSOR SHALL OPERATE IN CONJUNCTION WITH VISION NET LIGHTING CONTROL SYSTEM.	
O2	WATTSTOPPER #DT-300 SENSOR SWITCH #CAM-PDT-8-R GREENGATE #OAC-DT-R HUBBELL #OMNI-DT-XXXX-RP LUTRON #LOS-CDT-3000	24V	CEILING	DUAL TECHNOLOGY CEILING SENSOR WITH A COMBINATION OF ULTRASONIC AND PASSIVE INFRARED. SENSOR TO BE EQUIPPED WITH SELF ADJUSTING TECHNOLOGY AND ISOLATED RELAY OUTPUTS. SENSOR SHALL OPERATE AS AUTOMATIC "ON" AND AUTOMATIC "OFF" WITH A 15 MINUTE TIME DELAY.	
PP	WATTSTOPPER #EZ150 SENSOR SWITCH #PP20 GREENGATE #SP20-MV HUBBELL	120/277V	4 SQUARE BOX ABOVE ACCESSIBLE CEILING	POWER PACK TO OPERATE LOW VOLTAGE (24VDC) OCCUPANCY SENSORS. RELAY TO BE 20A RATED.	
REMARKS:					
1. PROVIDE POWER PACKS AND EMERGENCY LIGHTING CONTROL UNITS AS REQUIRED TO OPERATE LIGHTING AS SHOWN ON FLOOR PLANS					
2. 120/277V SENSOR IN LIEU OF POWER PACK IS ACCEPTABLE.					
GENERAL NOTES:					
1. CEILING MOUNTED OCCUPANCY SENSORS SHALL BE INSTALLED 6'-0" AWAY FROM ANY SUPPLY DIFFUSERS. COORDINATE WITH MECHANICAL CONTRACTOR.					

THEATRICAL RELAY/DIMMING PANEL						
PANEL NAME: NEW RP1			MANUFACTURER: PHILIPS STRAND LIGHTING			
LOCATION: PROP ROOM A224			MODEL TYPE: 78923C WITH ENCLOSURE			
MOUNTING: WALL RACK			SUPPLY CIRCUIT: EXISTING CIRCUIT TO DIMMER MODULE(S)			
PANEL NOTES: REUSE EXISTING CIRCUITS FROM EXISTING DIMMER MODULES WIRE NUT OFF (CAP) UNUSED CIRCUITS AND MARK AS SPARE						
RELAY	LOAD DESCRIPTION	MODULE SIZE	MODULE TYPE	SOURCE	VOLTAGE	REMARKS
1	AUD. ELECTRIC #1 (WEST WALL) TL1	20A/1P	RELAY WITH CB	EXISTING CIRCUIT	120	1.2
2	AUD. ELECTRIC #1 (WEST WALL) TL1	20A/1P	RELAY WITH CB	EXISTING CIRCUIT	120	1.2
3	AUD. ELECTRIC #1 (WEST WALL) TL1	20A/1P	RELAY WITH CB	EXISTING CIRCUIT	120	1.2
4	AUD. ELECTRIC #1 (WEST WALL) TL1	20A/1P	RELAY WITH CB	EXISTING CIRCUIT	120	1.2
5	AUD. ELECTRIC LIFT #1 (WEST) TL1 & TL2	20A/1P	RELAY WITH CB	EXISTING CIRCUIT	120	1.2
6	AUD. ELECTRIC LIFT #1 (WEST) TL1 & TL2	20A/1P	RELAY WITH CB	EXISTING CIRCUIT	120	1.2
7	AUD. ELECTRIC LIFT #1 (WEST) TL1 & TL2	20A/1P	RELAY WITH CB	EXISTING CIRCUIT	120	1.2
8	AUD. ELECTRIC LIFT #1 (WEST) TL1 & TL2	20A/1P	RELAY WITH CB	EXISTING CIRCUIT	120	1.2
9	AUD. ELECTRIC LIFT #2 (EAST) TL1 & TL2	20A/1P	RELAY WITH CB	EXISTING CIRCUIT	120	1.2
10	AUD. ELECTRIC LIFT #2 (EAST) TL1 & TL2	20A/1P	RELAY WITH CB	EXISTING CIRCUIT	120	1.2
11	AUD. ELECTRIC LIFT #2 (EAST) TL1 & TL2	20A/1P	RELAY WITH CB	EXISTING CIRCUIT	120	1.2
12	AUD. ELECTRIC LIFT #2 (EAST) TL1 & TL2	20A/1P	RELAY WITH CB	EXISTING CIRCUIT	120	1.2
13	AUD. ELECTRIC #2 (EAST WALL) TL1	20A/1P	RELAY WITH CB	EXISTING CIRCUIT	120	1.2
14	AUD. ELECTRIC #2 (EAST WALL) TL1	20A/1P	RELAY WITH CB	EXISTING CIRCUIT	120	1.2
15	AUD. ELECTRIC #2 (EAST WALL) TL1	20A/1P	RELAY WITH CB	EXISTING CIRCUIT	120	1.2
16	AUD. ELECTRIC #2 (EAST WALL) TL1	20A/1P	RELAY WITH CB	EXISTING CIRCUIT	120	1.2
17	ELECTRIC #1 TL3	20A/1P	RELAY WITH CB	EXISTING CIRCUIT	120	1.2
18	ELECTRIC #1 TL3	20A/1P	RELAY WITH CB	EXISTING CIRCUIT	120	1.2
19	ELECTRIC #1 TL3	20A/1P	RELAY WITH CB	EXISTING CIRCUIT	120	1.2
20	ELECTRIC #1 TL3	20A/1P	RELAY WITH CB	EXISTING CIRCUIT	120	1.2
21	ELECTRIC #1 L1 WORKLIGHT	20A/1P	RELAY WITH CB	EXISTING CIRCUIT	120	1.2
22	ELECTRIC #2 TL3	20A/1P	RELAY WITH CB	EXISTING CIRCUIT	120	1.2
23	ELECTRIC #2 TL3	20A/1P	RELAY WITH CB	EXISTING CIRCUIT	120	1.2
24	ELECTRIC #2 TL3	20A/1P	RELAY WITH CB	EXISTING CIRCUIT	120	1.2
25	ELECTRIC #2 TL3	20A/1P	RELAY WITH CB	EXISTING CIRCUIT	120	1.2
26	ELECTRIC #2 L1 WORKLIGHT	20A/1P	RELAY WITH CB	EXISTING CIRCUIT	120	1.2
27	ELECTRIC #3 TL3	20A/1P	RELAY WITH CB	EXISTING CIRCUIT	120	1.2
28	ELECTRIC #3 TL3	20A/1P	RELAY WITH CB	EXISTING CIRCUIT	120	1.2
29	ELECTRIC #3 TL3	20A/1P	RELAY WITH CB	EXISTING CIRCUIT	120	1.2
30	ELECTRIC #3 TL3	20A/1P	RELAY WITH CB	EXISTING CIRCUIT	120	1.2
31	ELECTRIC #3 L1 WORKLIGHT	20A/1P	RELAY WITH CB	EXISTING CIRCUIT	120	1.2
32	ELECTRIC #4 TL3 & TL4	20A/1P	RELAY WITH CB	EXISTING CIRCUIT	120	1.2
33	ELECTRIC #4 TL3 & TL4	20A/1P	RELAY WITH CB	EXISTING CIRCUIT	120	1.2
34	ELECTRIC #4 TL3 & TL4	20A/1P	RELAY WITH CB	EXISTING CIRCUIT	120	1.2
35	ELECTRIC #4 TL3 & TL4	20A/1P	RELAY WITH CB	EXISTING CIRCUIT	120	1.2
36	ELECTRIC #4 L1 WORKLIGHT	20A/1P	RELAY WITH CB	EXISTING CIRCUIT	120	1.2
37	STAGE FRONT (WEST WALL)	20A/1P	RELAY WITH CB	EXISTING CIRCUIT	120	1.2
38	STAGE FRONT (WEST WALL)	20A/1P	RELAY WITH CB	EXISTING CIRCUIT	120	1.2
39	STAGE BACK (WEST WALL)	20A/1P	RELAY WITH CB	EXISTING CIRCUIT	120	1.2
40	STAGE BACK (WEST WALL)	20A/1P	RELAY WITH CB	EXISTING CIRCUIT	120	1.2
41	STAGE FRONT (EAST WALL)	20A/1P	RELAY WITH CB	EXISTING CIRCUIT	120	1.2
42	STAGE FRONT (EAST WALL)	20A/1P	RELAY WITH CB	EXISTING CIRCUIT	120	1.2
43	STAGE BACK (EAST WALL)	20A/1P	RELAY WITH CB	EXISTING CIRCUIT	120	1.2
44	STAGE BACK (EAST WALL)	20A/1P	RELAY WITH CB	EXISTING CIRCUIT	120	1.2
45	SPARE	20A/1P	RELAY WITH CB	EXISTING CIRCUIT	120	1.2
46	SPARE	20A/1P	RELAY WITH CB	EXISTING CIRCUIT	120	1.2
47	SPARE	20A/1P	RELAY WITH CB	EXISTING CIRCUIT	120	1.2
48	SPARE	20A/1P	RELAY WITH CB	EXISTING CIRCUIT	120	1.2
REMARKS						
1. "CB" CIRCUIT BREAKER.						
2. COORDINATE EXACT CIRCUIT LABELING WITH OWNER						

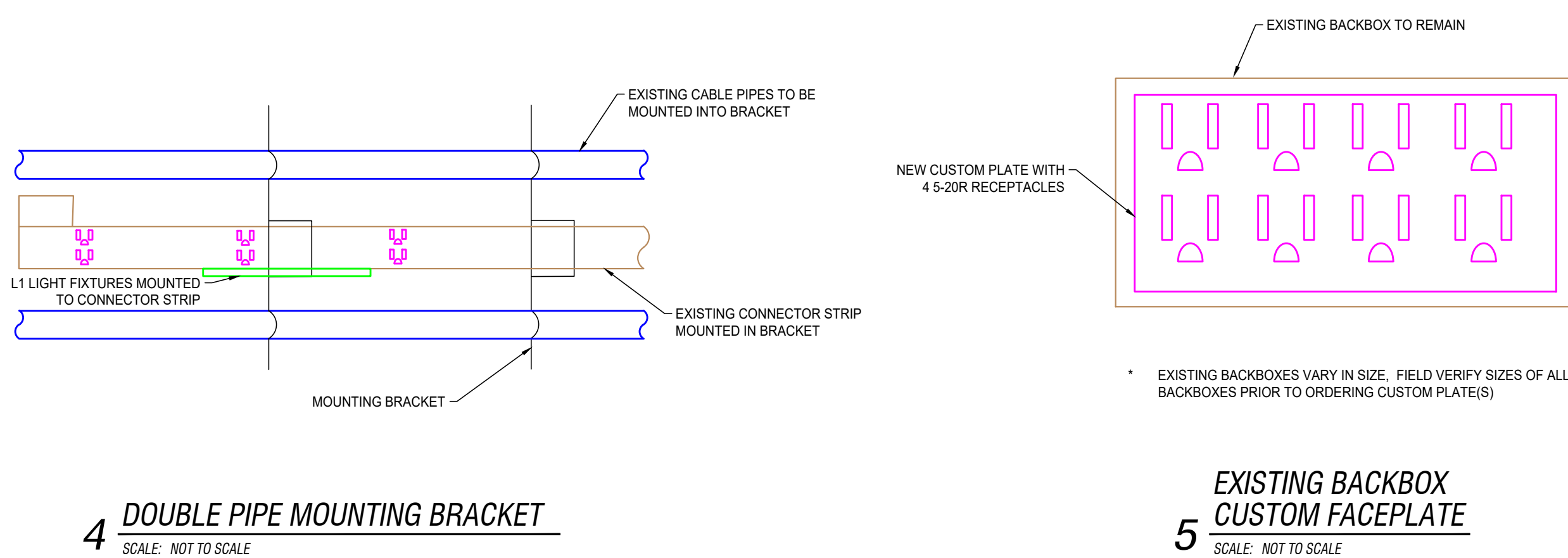
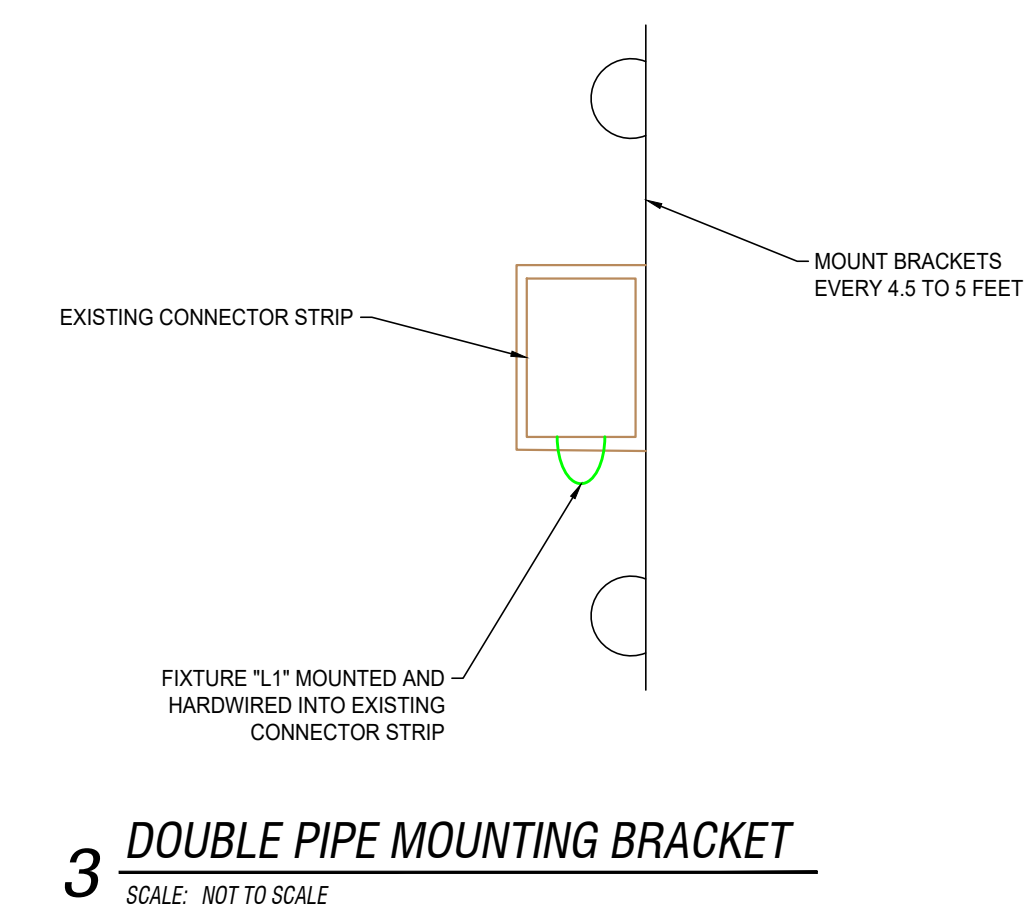
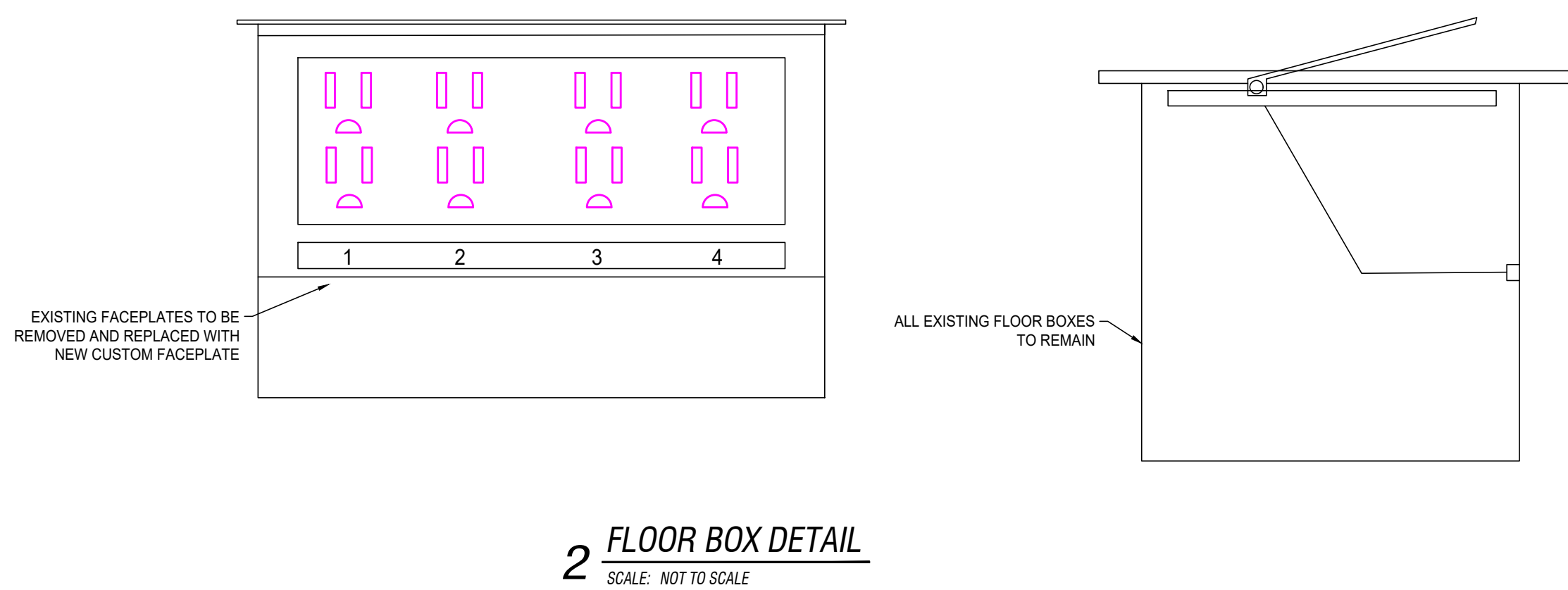
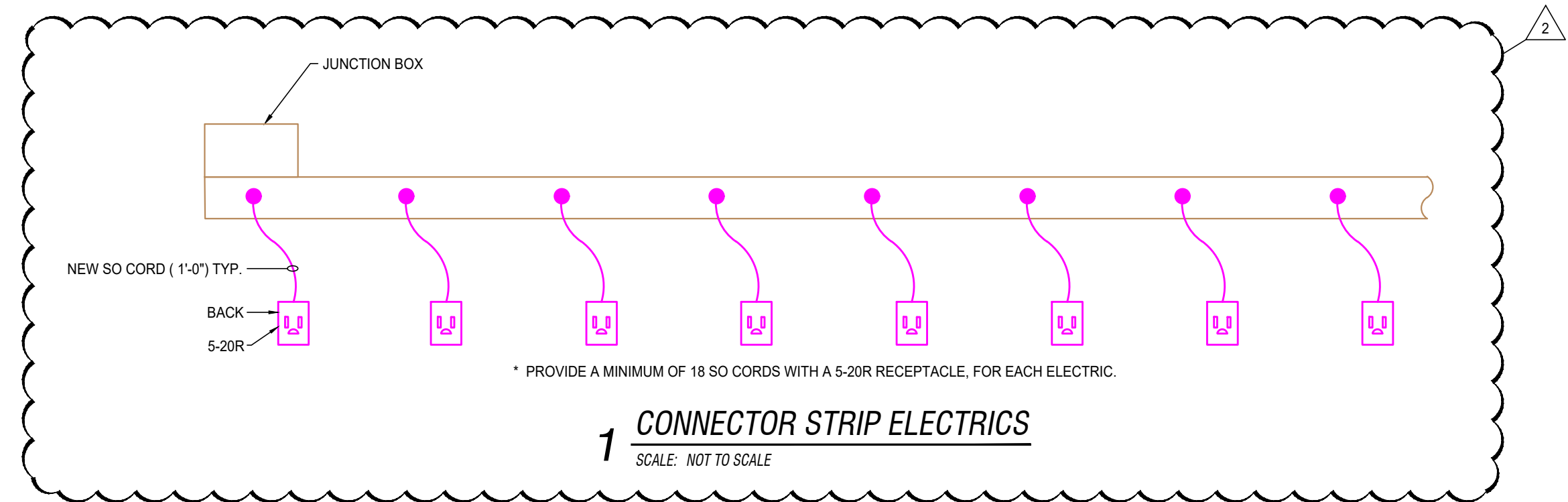
EXHAUST FAN SCHEDULE												
TAG	AREA SERVED	MFR.	MODEL	CFM	(IN W.C.)	MOTOR (WATTS)	RPM	DRIVE TYPE	SONES	ELEC (V/PH)	CONTROL	REMARKS
TF-1	ELEC RACK	GREENHECK	SP-A200	150	0.25	25	714	DIRECT	1.2	120/1	EC	1, 2, 3, 4
REMARKS:												
1. MOTOR SHALL BE RATED FOR CONTINUOUS DUTY.												
2. PROVIDE AND INSTALL WITH FACTORY WIRE NEMA-1 ELECTRICAL DISCONNECT SWITCH.												
3. WHEEL SHALL BE GALVANIZED STEEL, PLASTIC NOT ACCEPTABLE.												
4. GRILLE SHALL BE ALUMINUM PAINTED WHITE, PLASTIC NOT ACCEPTABLE.												



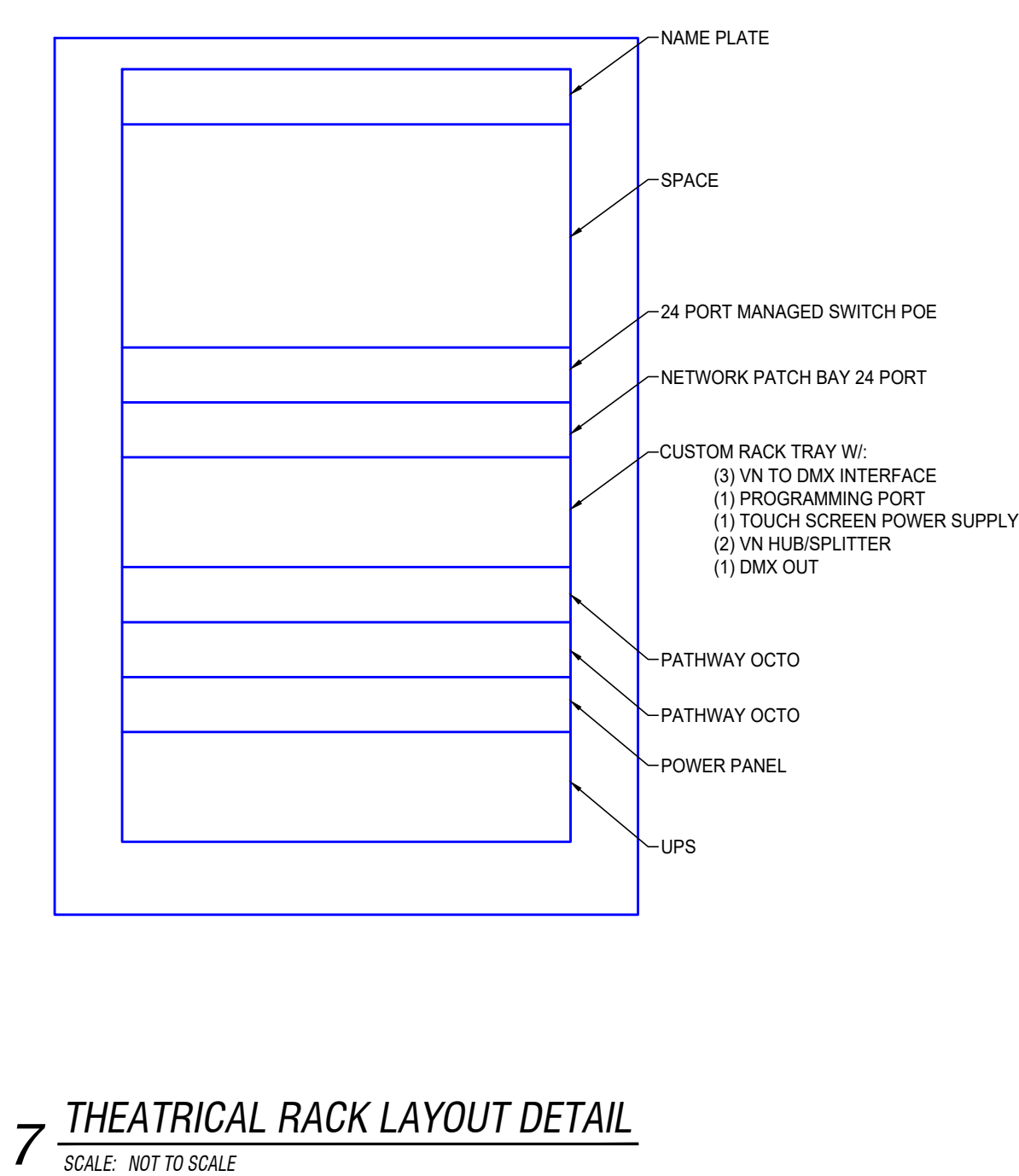
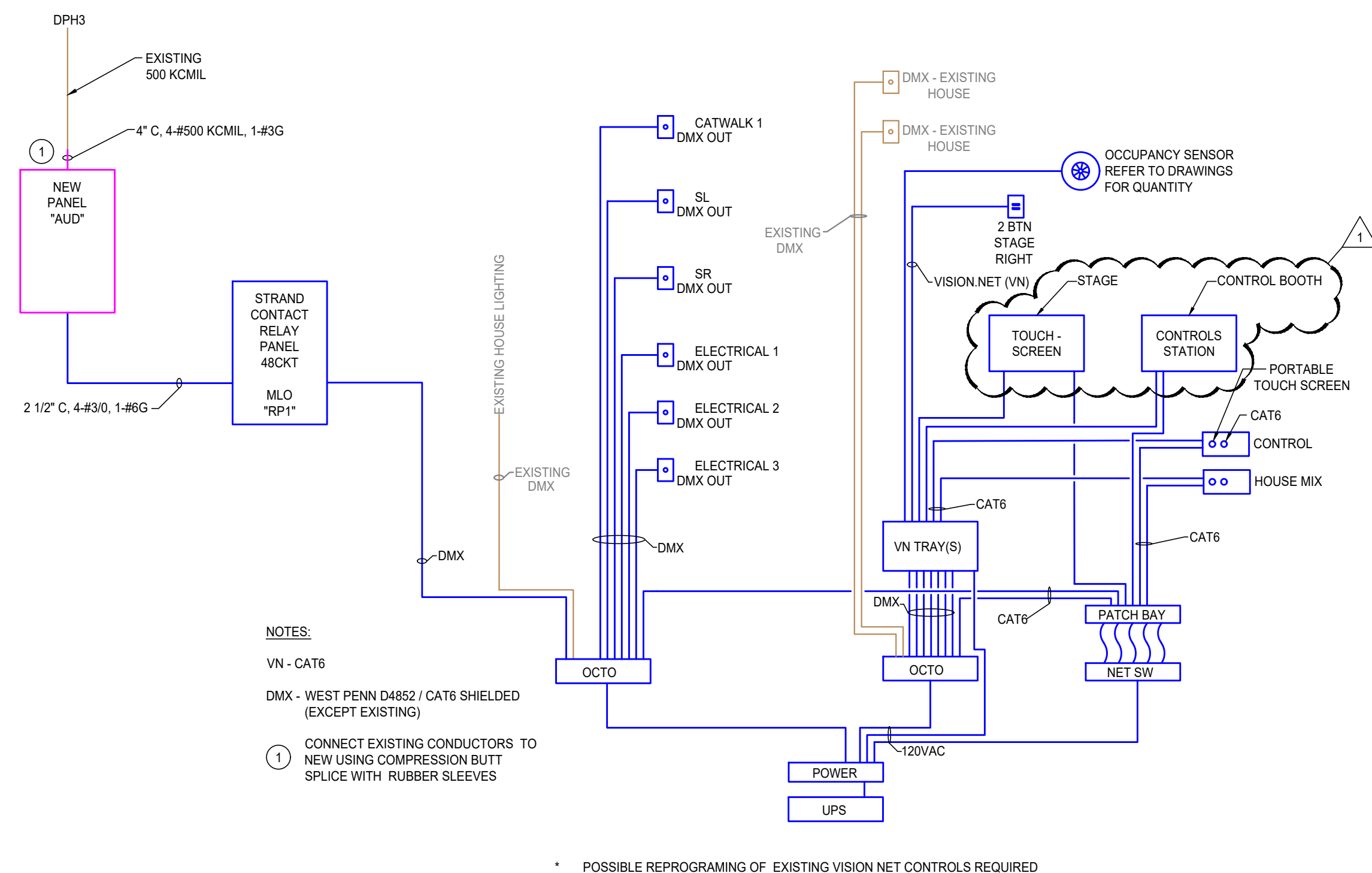
EQUIPMENT SCHEDULE						
EQUIP NOTES:						
1. REFER TO SPECIFICATIONS						
2. REFER TO DRAWING						
3. PROVIDE AND INSTALL CABLING FOR COMPLETE OPERATIONAL SYSTEM.						
ITEM	ITEM DESCRIPTION	PART NUMBER	QUANTITY	VOLTAGE	NOTES	
1	CONNECTOR STRIP	BAL-60-5/18-520R	3	120	BAL SERIES, "60" FEET LONG, (18)5-20R RECEPTACLES	
2	FLOOR BOX FACE PLATE	1-4-520R	15	120	FP SERIES CUSTOM FACE PLATE, EXISTING FLOOR BOX REMAIN, REPLACE ORIGINAL FACEPLATE WITH (4)5-20R FACEPLATE	
3	CONNECTOR STRIP MOUNTING BRACKETS	MODEL #DP-18/27 (DOUBLE PIPE)	AS REQUIRED		HARDWARE MOUNTING CONNECTOR STRIP FOR ELECTRICS	
4	PIPE MOUNT DMX OUTPUT	PM-1-DMXSPF	4		SSRC PM SERIES PIPE MOUNT DMX OUTPUT	
5	CUSTOM COVERPLATE	1 1/2" W X 6" H-4 520D	9	120	SSRC QUANTITY 4 DUPLEX RECEPTACLES PER CUSTOM PLATE (6-20R)	
6	ONE GANG FACEPLATE	5001 BL	6		PATHWAY FACEPLATE CONNECTORS	
7	TWO GANG FACEPLATE	5002 BL	2		PATHWAY FACEPLATE CONNECTORS	
8	FEMALE 5 PIN XLR	5102 BL	3		PATHWAY INSERT DMX CONNECTORS	
9	RJ 45 ETHERCON	5105 BL	4		PATHWAY INSERT ETHERNET CONNECTORS	
10	DUAL RJ 45 ETHERCON	5115 BL	2		PATHWAY INSERT ETHERNET CONNECTORS	
11	DMX 5-PIN CABLE	FPDMX5-50	3	UNIVERSE	MYSTAR DMX 5P XLR/MXLR 50 FEET	
12	POWERCON CABLE	FPOM12310-60	2		MYSTAR12-3C POWERCON ASSEMBLY 50 FEET	
13	48 BREAKER/RELAY CONTACT PANEL	CONBOX-4 78923C 78962 78991 78966	1	208	STRAND RELAY (POLE) INSERT PANEL WITH BREAKERS (20A-1P), 48-WAY, ENCLOSURE, AND CONTROL DMX512	
14	VISION NET USB	63095USB	1		ROOM PRESETS, CHANNELS	
15	VISION NET TOUCHSCREEN	95610 95622 95623 68824 68825 68830	2	24 DC	CONTROLLABLE VISION NET TOUCHSCREEN WITH SURFACE BOX AND ONE WITH PORTABLE RACK AND 25 FOOT CAT6 CABLE.	
16	VISION NET GATEWAY	65710	1	24 DC	COORDINATE VISION NET DEVICES WITH BUILT-IN CLOCK	
17	VISION NET 4-WAY SPLITTER	53004-004	1	24 DC	1X4 SPLITTING OF VISION NET HARDWARE SIGNALS	
18	VISION NET 150W	53006-301	1	100-277	CONVERTS INCOMING VOLTAGE TO 24V DC FOR OTHER VISION NET DEVICES	
19	VISION NET DMX512 INTERFACE	63054	1	24 DC	COORDINATES DMX INPUT TO VISION NET SOFTWARE AND 3RD PARTY DIMMER RACK	
20	THEATRICAL EQUIPMENT RACK	MIDDLE ATLANTIC	1		LOCKABLE, METAL SCREEN, REMOVABLE SIDES (SIZE AS APPROPRIATE FOR PLACEMENT). PROVIDE ACCESSORIES AS REQUIRED.	
21	MANAGED SWITCH 24 PORT	NETGEAR	1	120	MANAGED POE SWITCH	
22	CAT6 PATCH PANEL	HUBBELL	1		PATCH PANEL	
23	PATCH CAT6	HUBBELL	24		2 FOOT PATCH CABLES	
24	8 PORT POE NODE	STRAND NETWORKING	2		RACK MOUNTS 8-PORT NODE	
25	RS-232 PROGRAMMING STATION	VISION NET	1		FOR VISION NET	
26	UPS 1000VA	STACO	1		UPS FOR EQUIPMENT RACK	
SEQUENCE OF OPERATIONS						
1. RELAY SHALL BE CONTROLLED THROUGH OCCUPANCY SENSOR AT ALL TIMES DURING THE DAY						
2. RELAY SHALL BE CONTROLLED THROUGH OCCUPANCY SENSOR DURING SCHOOL HOURS						
3. RELAY SHALL BE DISABLED AFTER SCHOOL HOURS AND ONLY OPERATIONAL THROUGH MANUAL OVERRIDE.						
3. RELAY SHALL BE DISABLED DURING SUMMER OPERATION AND ONLY OPERATIONAL THROUGH MANUAL OVERRIDE.						

LIGHT FIXTURE SCHEDULE								
TAG	MANUFACTURER'S CATALOG NUMBER	MAX WATTS	MOUNT	MIN. LUMEN OUTPUT	CCT	CRI	DESCRIPTION	REMARKS
TL1	CHAUVET PROFESSIONAL #REVE-E3	250	SUSPENDED	5,000	NA	NA	120V, LED PROFILE SPOT RGBW LED ARRAY, MOUNTING HARDWARE AND ACCESSORIES, COLOR BLACK	
TL2	VARI-LITE #VL800 EVENTPROFILE	350	SUSPENDED	17000 13000 10000	6500	76	130V COMPACT LED PROFILE, MOUNTING HARDWARE AND ACCESSORIES, OMEGA CLAMP, POWER INPUT CONNECTOR, COLOR BLACK	
TL3	VARI-LITE #VL800 PROPAR	260	SUSPENDED	3,500	7300	90	120V, 7 X 30W RGBW LED PAR, 6 TO 40 MOTORIZED MOUNTING HARDWARE AND ACCESSORIES, COLOR BLACK	
TL4	CHAUVET PROFESSIONAL #CYC 3 FC	200	SUSPENDED	7,500	3500	NA	120V, SPECTRA CYC LED WASH LUMINAIRE WITH POWERCON, FLUSH DMX MOUNTING HARDWARE AND ACCESSORIES, COLOR BLACK	
TL5	STRONG LIGHTING #CHP 6000 ST CANTO #AURORA X1 SHORT	600	SUSPENDED	5500	NA	NA	130V, SHORT-THROW LED FOLLOW SPOT, WITH STAND. PROVIDE FOUR (4) ADDITIONAL FOLLOW SPOT FIXTURES, TWO (2) FOR SOUTH SIDE HIGH SCHOOL & TWO (2) FOR NORTHROP HIGH SCHOOL.	
L1	METALUX #4SNX-61SL-LN-UNV-L835-CD-1	35	SUSPENDED	5,252	3500	80	120V, INDUSTRIAL WORK LIGHT, MOUNTING HARDWARE AND ACCESSORIES	
L2	METALUX #14MMS-L3C3-UNV-MEDIUM	26	RECESSED	3,494	3500	80	120-277V, 1X4" ARCHITECTURAL LENSED TROFFER WITH FLAT SMOOTH LENS AND COLD ROLLED STEEL HOUSING, ELECTRONIC 0-10V DIMMING DRIVER WITH RANGE FROM 100% TO 5% UL LISTED.	
L3	METALUX #11MMS-L3C3-UNV-MEDIUM	14	RECESSED	1,630	3500	80	120-277V, 1X1" ARCHITECTURAL LENSED TROFFER WITH FLAT SMOOTH LENS AND COLD ROLLED STEEL HOUSING, ELECTRONIC 0-10V DIMMING DRIVER WITH RANGE FROM 100% TO 5% UL LISTED.	
L4	METALUX #22MMS-L3C3-UNV-HIGH	41	RECESSED	4,946	3500	80	120-277V, 2X2" ARCHITECTURAL LENSED TROFFER WITH FLAT SMOOTH LENS AND COLD ROLLED STEEL HOUSING, ELECTRONIC 0-10V DIMMING DRIVER WITH RANGE FROM 100% TO 5% UL LISTED.	
L5	METALUX #4SNX-48SL-LN-UNV-L836-HCD-1	30	RECESSED	4,693	3500	80	120-277V, 4" LINEAR STRIP FIXTURE WITH FROSTED LENS AND COLD ROLLED STEEL HOUSING, ELECTRONIC 0-10V DIMMING DRIVER WITH RANGE FROM 100% TO 1% UL LISTED	
DL1	PORTFOLIO #LDEB1502DMX-ERBH 502008035-8LW1L1-HS48	159	SUSPENDED	15,000	3500	80	130-277V, 8" DOWNLIGHT WITH SLOPE ADAPTER, DMX CONTROL, UL LISTED. SLOPE OF CEILING VARIES, CONTRACTOR TO FIELD VERIFY SLOPES PRIOR TO ORDERING SLOPE ADAPTERS.	
EX1	SURE LITE #LPX-6 LITHONIA DUAL LITE	1	UNIVERSAL				120-277V, WHITE POLYCARBONATE EXIT SIGN WITH RED LETTERS, UL LISTED	
REMARKS:								

All concepts, sheets, plans, and details as shown on this document are the sole property of Primary Engineering, Inc. and shall not be used for any other purpose without their express written consent. This project



5 EXISTING BACKBOX CUSTOM FACEPLATE
SCALE: NOT TO SCALE



ALLEN & HEATH DX HUB W/ MOUNTING KIT
WIRELESS RECEIVER (12)
HDMI SWITCHER & AUDIO EXTRACTOR
DISTRO / ANTENNA'S
SHelf
MINI-COMPUTER REMOTE TO SERVICE TERMINAL
AUDIO ROUTOR / PROCESSOR
AMPLIFIER / DSP
AMPLIFIER / DSP
AMPLIFIER / DSP
NETWORK SWITCH

8 SOUND BOOTH RACK LAYOUT DETAIL (SR-1)
SCALE: NOT TO SCALE

ALLEN & HEATH AH-DX-HUB W/ MOUNTING KIT
HDMI / HD BASE T
BLANK
BLANK
BLANK
BLANK

9 STAGE RACK LAYOUT DETAIL (SR-2)
SCALE: NOT TO SCALE

REMOTE POWER RELAY
POWER CONDUCTOR
NETWORK SWITCH
BLANK
BLANK

10 UNDER COUNTER RACK LAYOUT DETAIL (SR-3)
SCALE: NOT TO SCALE

All concepts, ideas, plans, and details as shown on this document are the sole property of Primary Engineering, Inc. and shall not be used for any other purpose without their expressed written consent. The project owner shall be permitted to retain copies for information and reference purposes.
2025 © Primary Engineering, Inc.

ADDENDUM #1 3-6-2025
ADDENDUM #2 2-20-2025



FORT WAYNE COMMUNITY SCHOOLS
2025 Auditorium Sound, Lights, and Tech
Fort Wayne, Indiana

CERTIFICATION:
Professional Engineer
No. PE10302397
STATE OF INDIANA
Michael E. ...

DATE: 2-3-2025
COMM: 24658
FILE: 658-SN-E401
SCHOOL: Snider High School
4600 Fairlawn Pass
Fort Wayne Indiana 46815

TITLE:
ELECTRICAL DETAILS

SHEET:
SN-E401

File Location: X:\Users\michael@primary-eng.com\Documents\FWCS\2025 Auditorium Sound, Lights, and Tech\Drawings\2025-02-20-2025-FWCS-Auditorium-Sound-Lights-and-Tech-Details.dwg Date Plotted: 3/6/2025 Time Plotted: 10:51:15 AM Plotted by: michael@primary-eng.com

